

Bourdon tube pressure gauge Model 111.14, for tyre pressure apparatus

WIKA data sheet PM 01.21

D 88
18.08.04

Applications

- For use in tyre inflation systems for monitoring the tyre pressure when inflating the tyres of motor vehicles
- Filling stations, garages, service stations

Special features

- Designs per EN 12645
- EEC type-approval certificate
- Scale ranges 0 ... 4 bar, 0 ... 10 bar and 0 ... 12 bar



Bourdon tube pressure gauge, model 111.14, for tyre pressure apparatus

Description

Nominal size in mm

63 and 80

Accuracy class

$p_m \leq 4$ bar: ± 0.08 bar

$4 \text{ bar} < p_m \leq 10$ bar: ± 0.16 bar

$p_m > 10$ bar: ± 0.25 bar

(p_m ... measured pressure)

Error limits are met within a temperature range between 15 °C and 25 °C

Scale ranges

0 ... 4 bar

0 ... 10 bar

0 ... 12 bar (only NS 80)

Pressure limitation

Steady: $3/4$ x full scale value

Fluctuating: $2/3$ x full scale value

Short time: full scale value

Operating temperature

Ambient: -20 ... +60 °C

Medium: +40 °C maximum

Storage: -40 ... +70 °C

Temperature effect

When the temperature of the measuring system deviates from the reference temperature range (-10 ... +40 °C):

$p_m \leq 4$ bar: 0.1 % of 4 bar

$4 \text{ bar} < p_m \leq 10$ bar: 0.05 % of 10 bar

$p_m > 10$ bar: 0.05 % of the full scale value
(p_m ... measured pressure)

Ingress protection

IP 44 per EN 60529 / IEC 529

Standard version

Process connection

Cu-alloy,
G 1/4 B (male), 14 mm flats
Lower mount (LM) or centre back mount (CBM)

Pressure element

Cu-alloy, C-type

Movement

Cu-alloy

Dial

white, black lettering, with pointer stop pin,
scale graduation 0.1 bar
NS 63: Plastic
NS 80: Aluminium

Pointer

Knife edge pointer, aluminium, black

Case

Plastic, black

Window

Clear non-splintering plastic, welded to the case

Approval

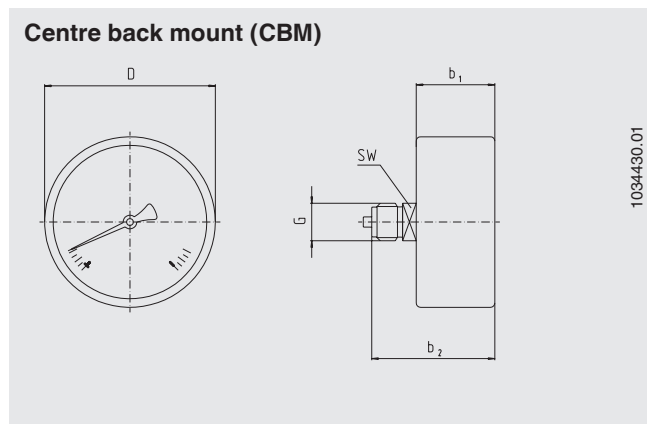
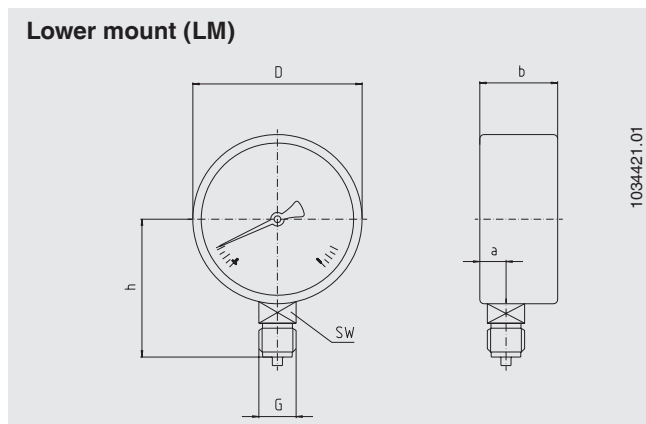
EEC type-approval certificate

Options

- Other process connection
- Metal case screw-fitted to slip-on bezel and leaded

Dimensions in mm

Standard version



NS	Dimensions in mm								Weight in kg
	a	b	$b_1 \pm 0.5$	$b_2 \pm 1$	D	G	$h \pm 1$	SW	
63	10	27.5	27.5	48	62	G 1/4 B	53.5	14	0.08
80	-	-	32	49	79	G 1/4 B	-	14	0.11

Process connection per EN 837-1 / 7.3

Ordering information

Model / Nominal size / Scale range / Connection size / Options

The specifications given in this document represent the state of engineering at the time of publishing.
We reserve the right to make modifications to the specifications and materials.



WIKAL Alexander Wiegand SE & Co. KG
Alexander-Wiegand-Straße 30
63911 Klingenberg/Germany
Tel. (+49) 9372/132-0
Fax (+49) 9372/132-406
E-mail info@wika.de
www.wika.de