

Differential pressure gauges Model 702.01.100, 702.02.100,
702.03.100 and 851.02.100 per directive 94/9/EC (ATEX)

GB

Differenzdruckmessgeräte Typ 702.01.100, 702.02.100, 702.03.100
und 851.02.100 nach Richtlinie 94/9/EG (ATEX)

D

Manomètres pour pression différentielle Type 702.01.100,
702.02.100, 702.03.100 et 851.02.100 selon directive 94/9/EG (ATEX)

F



II 2 GD c



DELTA - plus



Model 702.01.100 per ATEX

DELTA - comb



Model 702.02/03.100 per ATEX

DELTA - switch



Model 851.02.100 per ATEX

GB	Operating instructions Model 702.01.100, 702.02.100, 702.03.100 and 851.02.100 per ATEX	Page 1-14
D	Betriebsanleitung Typ 702.01.100, 702.02.100, 702.03.100 und 851.02.100 nach ATEX	Seite 15-26
F	Mode d'emploi Type 702.01.100, 702.02.100, 702.03.100 et 851.02.100 selon ATEX	Page 27-35

Contents

1. Safety instructions	4
2. Description and operating principle	4
3. Technical data and intended use	5
4. Requirements for use in potentially explosive atmospheres	5
5. Installation instructions	6
6. Measuring assembly	7
7. Commissioning	8
8. Optional extras / accessories	9
9. Maintenance and servicing / cleaning	11
10. Repairs	11
11. Disposal	11
Enclosure 1: Declaration of conformity for Model 702.01.100 <i>DELTA-plus</i>	12
Enclosure 2: Declaration of conformity for Models 702.02.100 / 702.03.100 <i>DELTA-comb</i>	13
Enclosure 3: Declaration of conformity for Model 851.02.100 <i>DELTA-switch</i>	14



Caution

1. Safety instructions

The appropriate national safety regulations (i.e. VDE 0100 / EN 60 079-14 / EN 837-2) must be observed when installing, commissioning and operating these instruments.

- Do not work on gauge while under voltage (applies to Model 702.02/03.100 and 851.02.100)
- Serious injuries and/or damage can occur should the appropriate regulations not be observed
- Only appropriately qualified personnel should work on these instruments
- The effective maximum surface temperature does not depend on these gauges themselves, but mainly on the respective medium temperature! For maximum permissible medium temperatures, see the table on page 6.

2. Description and operating principle

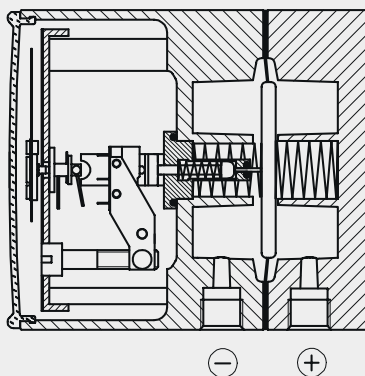
The \oplus and \ominus measuring medium chambers are separated by an elastic diaphragm. The differential pressure causes an axial movement (measured travel) in the diaphragm against the measuring range spring. The measured travel is proportional to the differential pressure and is transmitted, "pressure sealed" and with minimal friction, via a connecting rod; for:

- **DELTA-plus** to the **movement**
- **DELTA-comb** to the **movement** and in addition to the plungers on the **microswitches**
- **DELTA-switch** to the plungers on the **microswitches**

For further information on gauge construction

- **DELTA-plus** see data sheet PM 07.15
- **DELTA-comb** see data sheet PM 07.16 or PM 07.19
- **DELTA-switch** see data sheet PM 07.17

Illustration for example **DELTA-comb**



3. Technical data and intended use

Static pressure: 25 bar

Overpressure safety (either side): up to 25 bar max.

Operating temperature

Ambient	-10 ... +70 °C
Medium	+90 °C maximum

Observe restrictions for use in potentially explosive atmospheres
(see section 4)

Pressure connection: 2 × G ¼ female

IP Ingress protection: IP 54 (EN 60 529 / IEC 529)

Permissible vibration levels at the mounting point

- As a matter of principle the instruments should only be mounted in locations without a vibration load.
- Isolation from a mounting point exposed to vibration can be achieved, for example, by mounting the pressure gauge to a solid wall and a flexible capillary connecting the measuring point to the pressure gauge (see section 5).
- The following limits must not be exceeded:

Frequency range	< 150 Hz
Acceleration	< 0.7 g (7 m/s ²)

Electrical contact

(applies to Model 702.02/03.100 and 851.02.100)

Adjustable range: from 10 % to 100 % of span

Switching point adjustment: from the outside by means of setpoint screw(s)

Contact hysteresis: max. 5 % of full-scale value



Note

4. Requirements for use in potentially explosive atmospheres

The built-in Reed contacts (applies to Model 702.02/03.100 and 851.02.100) do **not** possess their own ignition source. For the purposes of intrinsic safety they are 'simple apparatus' as defined in EN 50 020.

When supplied from a tested and certified intrinsically safe circuit (associated apparatus), these switches may be used in potentially explosive atmospheres up to category 2 without having to take any further measures.

Operating temperature for all Models

GB Ambient (for use in potentially explosive atmospheres): -10 ... +60 °C

Medium: The permissible medium temperature does not only depend on the instrument design, but also on the ignition temperature of the surrounding explosive atmosphere. Both aspects have to be taken into account.

For permissible maximum medium temperatures see table

Attention! With gaseous substances the temperature may increase as a result of the compression temperature. In such cases, either the rate of change of the pressure must be slowed down or the permissible medium temperature must be reduced.

Permissible medium temperature

Temperature class of the ambient atmosphere (ignition temperature)	Permissible maximum medium temperature (in the pressure system)
T 6 (> 85 °C)	+70 °C
T 5 (> 100 °C)	+85 °C
all other temperature classes	+90 °C

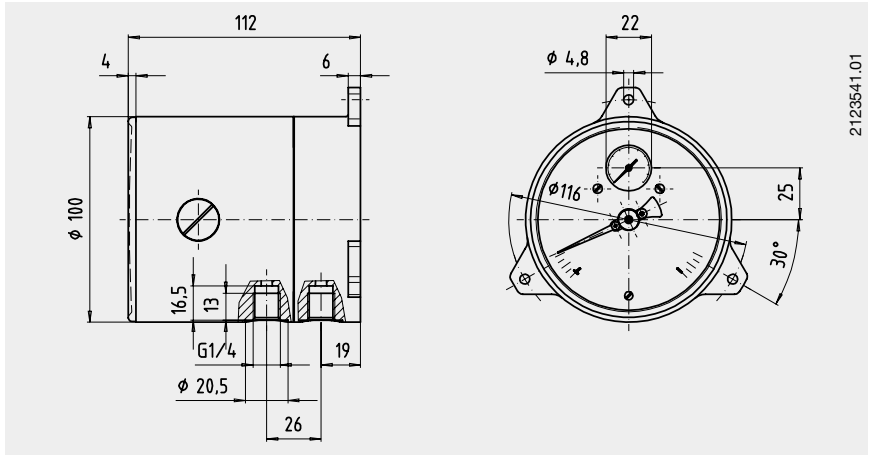
5. Installation instructions

Installation of the differential pressure gauge should follow the installation recommendations for pressure gauges according to EN 837-2 /7.

- The maximum permissible medium / ambient temperature must not be exceeded
- Prior to the installation of the pressure gauge, the pipes should be thoroughly cleaned by tapping, blowing or rinsing
- The pressure gauges must be protected against contamination and high temperature fluctuations!
- The pressure gauges should be installed and operated so as to avoid exposure to vibration (see also section 3: Permissible vibration levels at the mounting point).

Wall mounting

Installation using the three integral, cast mounting brackets



GB

2123541.01

6. Measuring assembly

Proven measuring assemblies for various types of media. Recommended set-up for pressure measurement instruments are shown below.

Contents of tail pipe	Liquid media			Gaseous media		
	Liquid	Liquid with vapour	Vapour only	Gas only	Wet gas	Liquid gas condensate
Typically	Condensate	Boiling liquid	LPG	Dry air	Moist air Flue gas	Steam
Pressure instrument higher than tapping point						
Pressure instrument lower than tapping point						

11242370 06/2007 GB/D/F

7. Commissioning

7.1 Mounting of the pressure connection

Pressure entries identified ⊕ and ⊖

⊕ high pressure

⊖ low pressure

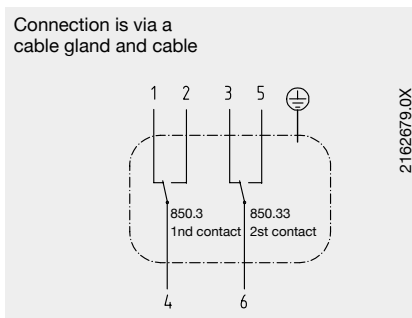
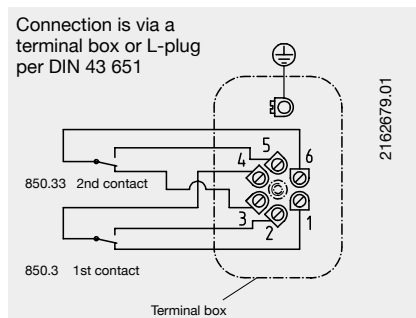
During the commissioning process, pressure peaks must be avoided absolutely. Open the shut-off valves slowly.

7.2 Wiring details

(applies to Model 702.02/03.100 and 851.02.100)

- The electrical connections should be made by qualified electricians
- Connection details and switch functions are given on the instrument rating plate. Connection terminals (1 ... 6) and the ground terminal are appropriately marked.
- The mains connection lines to be provided must be suitable for maximum instrument power consumption and comply with IEC 227 or IEC 245
- The instruments must be included in the equipotential bonding of the plant

Connection details



Setting the switch point

The switch points are set by means of the setpoint screws, accessible from the front. The 270° assistant scale indicates the current setpoint.

For contact re-adjustment, lever the window out of the case via the recess in its circumference. The desired switch point can be set by turning the setpoint screw.

Afterwards press the window back into the case.

8. Optional extras / accessories

8.1 Integrated pressure equalising valve

The **zero point check** during operation is enabled by pushing the valve button.

The measuring medium flows from the higher pressure side to the opposite side and the differential pressure drops to zero.



GB

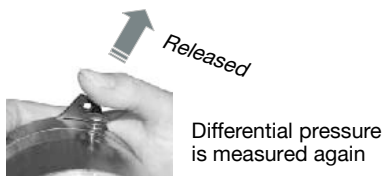
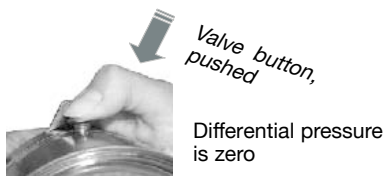
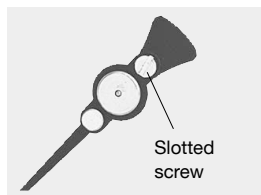
DELTA-comb and **DELTA-switch**:

When the valve button is pushed, the differential pressure pointer must move into the range of the zero point tolerance bar. If it does, the instrument is functioning correctly. In the case of possible deviations beyond the tolerance bar, a **zero point correction** can be made via a standard integrated adjustment pointer.

To do this, the snap-fit window must be lifted off using a screw driver at the impression/recess in the circumference.

The zero point is corrected by turning the slotted screw on the adjustment pointer.

Afterwards the window must be snap-fitted back onto the case. The differential pressure is indicated once more, as soon as the valve button is released.



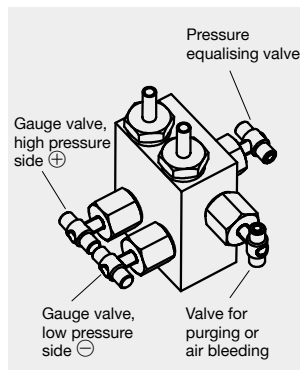
8.2 Four-way valve manifold

GB

- Shut off \oplus - and \ominus process line for **disassembling and testing** of measuring instrument without interrupting the process that is running.

Protect the instrument against inadmissible overpressure loading, such as, for example, in the case of pressure tests and undefined operating conditions (also temporary shut down).

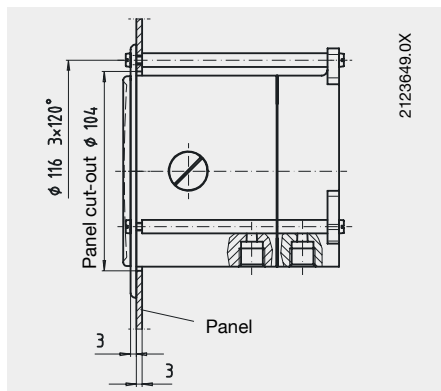
- Pressure equalising for **zero point check** during normal operation as well as equalisation of the pressures at high pressure and low pressure side during start-up and operation (with opened pressure equalising valve).
- Process line **air bleeding** for liquid measuring media and **purging** the process line for removing impurities.



8.2.1 Handling instructions

- Work sequence to **start measuring**
 - Open pressure equalising valve (middle valve)
 - Open shut-off valve of the negative-pressure media chamber (\ominus right valve) and the positive-pressure media chamber (\oplus left valve)
 - Close pressure equalising valve
- Operating sequence for **air bleeding/purging** of piping
 - start: Open shut-off valve of the negative-pressure (\ominus) and positive-pressure (\oplus) media chamber
Open pressure equalising valve and valve for purging or air bleeding
 - end: Close pressure equalising valve and valve for purging or air bleeding
- Procedure at the **end of the measuring operation** (also for partial system shut-down)
 - Open pressure equalising valve
 - Close shut-off valve of the negative-pressure (\ominus) and positive-pressure (\oplus) media chamber
- Task list for **removing the transmitter** during normal operation
 - Open pressure equalising valve
 - Close shut-off valve of the negative-pressure (\ominus) and positive-pressure (\oplus) media chamber
 - Open valve for purging or air bleeding**

8.3 Front flange for panel mounting



9. Maintenance and servicing / cleaning

The instruments require no maintenance or servicing and will give very long service when handled and operated properly.

The indicator and switching function should be checked once or twice every 12 months. The instrument must be disconnected from the process to check with a pressure testing device.

The instruments should be cleaned with a damp cloth, moistened with soap solution. It must be ensured that all the parts are dry before the power is switched on again.

The residual pressure medium in dismantled pressure gauges may be hazardous or toxic. This should be considered when handling and storing the removed pressure gauges.

10. Repairs

Repairs should only be carried out by the manufacturer or appropriately trained personnel.

For further details see the data sheet for the respective basic gauge (PM 07.15, PM 07.16, PM 07.17 or PM 07.19).

11. Disposal

Dispose of instrument components and packaging materials in accordance with the respective waste treatment and disposal regulations of the region or country to which the instrument is supplied.



WIKAL Alexander Wiegand GmbH & Co. • PF 1180 • 63908 Klingenberg • Germany

Druck- und
Temperaturmesstechnik
Pressure and
Temperature Measurement

**Konformitätserklärung
Richtlinie 94 / 9 / EG (ATEX)**

Wir erklären in alleiniger Verantwortung, dass unsere Differenzdruckmessgeräte

Typ 702.01.100 **DELTA - plus**,

gemäß gültigem Typenblatt PM 07.15, mit der Richtlinie übereinstimmen und dem Konformitätsbewertungsverfahren

'Interne Fertigungskontrolle'

unterzogen wurden.

Die Unterlagen werden aufbewahrt unter der Aktennummer 8000344742 bei der benannten Stelle Nr. 0044

TÜV NORD CERT
Am TÜV 1
D-30519 Hannover

Die Geräte werden gekennzeichnet mit



Angewandte Normen:

EN 13463-1 Nicht-elektrische Geräte für den Einsatz in explosionsgefährdeten Bereichen
- Grundlagen und Anforderungen

EN 13463-5 Schutz durch Konstruktive Sicherheit 'c'

**Declaration of Conformity
Directive 94 / 9 / EC (ATEX)**

We declare under our sole responsibility that our differential pressure gauges

model 702.01.100 **DELTA - plus**,

according to the current data sheet PM 07.15, correspond with the directive and were subjected to the conformity assessment procedure

'Internal Control of Production'

The dossier is retained under file nr. 8000344742 at the notified body no. 0044

TÜV NORD CERT
Am TÜV 1
D-30519 Hannover

The gauges are marked with



Applied standards:

EN 13463-1 Non electrical equipment for potentially explosive atmospheres
- Basic methods and requirements

EN 13463-5 Protection by constructional safety 'c'

WIKAL

Alexander Wiegand GmbH & Co. KG

Geschäftsbereich Prozessinstrumentierung / Division Process Instrumentation

Klingenberg, 06.12.2006

Armin Hawlik
Leiter Logistikzentrum 2
Manager Production and Logistics

Albert Schott
Leiter Qualitätssicherung
Quality Assurance Manager



WIKAI Alexander Wiegand GmbH & Co • PF 1180 • 63908 Klingenberg • Germany

Druck- und
Temperaturmesstechnik

Pressure and
Temperature Measurement

Konformitätserklärung Richtlinie 94 / 9 / EG (ATEX)

Wir erklären in alleiniger Verantwortung, dass nachstehend genannte Produkte, Differenzdruckmessgeräte mit Mikroschalter, gemäß gültigem Typenblatt mit der Richtlinie übereinstimmen und dem Konformitätsbewertungsverfahren

'Interne Fertigungskontrolle'

unterzogen wurden.

Die Unterlagen werden aufbewahrt unter der Aktennummer 8000344742 bei der benannten Stelle Nr. 0044

TÜV NORD CERT
Am TÜV 1
D-30519 Hannover

WIKAI-Typen / WIKAI models

702.02 / 702.03 **DELTA - comb**

Die Geräte werden gekennzeichnet mit



Angewandte Normen:

EN 13463-1 Nicht-elektrische Geräte für den Einsatz in explosionsgefährdeten Bereichen - Grundlagen und Anforderungen

EN 13463-5 Schutz durch Konstruktive Sicherheit 'c'

Die eingebauten

Mikroschalter Typ 850

sind 'Einfache Betriebsmittel' gemäß EN 50020.

Bei Betrieb in einem geprüften und zertifizierten eigensicheren Stromkreis dürfen sie ohne weitere Maßnahme als Kategorie 2-Gerät eingesetzt werden.

WIKAI

Alexander Wiegand GmbH & Co. KG

Geschäftsbereich Prozessinstrumentierung / Division Process Instrumentation

Klingenberg, 06.12.2006

Armin Hawik
Leiter Logistikzentrum 2
Manager Production and Logistics

Declaration of Conformity Directive 94 / 9 / EC (ATEX)

We declare under our sole responsibility that the products mentioned below, i.e. differential pressure gauges with micro switch, according to the current data sheet correspond with the directive and were subjected to the conformity assessment procedure

'Internal Control of Production'

The dossier is retained under file nr. 8000344742 at the notified body no. 0044

TÜV NORD CERT
Am TÜV 1
D-30519 Hannover

Typenblätter / data sheets

PM 07.16 / PM 07.19

The gauges are marked with



Applied standards:

EN 13463-1 Non electrical equipment for potentially explosive atmospheres - Basic methods and requirements

EN 13463-5 Protection by constructional safety 'c'

The built-in

micro switches model 850

are 'Simple Apparatus' according to EN 50020.

If they are operated in an approved and certified as well as intrinsically-safe circuit they can be used as category 2- equipment without any additional action.

Albert Schott
Leiter Qualitätssicherung
Quality Assurance Manager



WIKAI Alexander Wiegand GmbH & Co. • PF 1180 • 63908 Klingenberg • Germany

Druck- und
Temperaturmesstechnik

Pressure and
Temperature Measurement

Konformitätserklärung Richtlinie 94 / 9 / EG (ATEX)

Wir erklären in alleiniger Verantwortung, dass unsere Differenzdruckschalgebergeräte

Typ 851.02.100 **DELTA - switch**,

gemäß gültigem Typenblatt PM 07.17,
mit der Richtlinie übereinstimmen und dem
Konformitätsbewertungsverfahren

'Interne Fertigungskontrolle'

unterzogen wurden.

Die Unterlagen werden aufbewahrt
unter der Aktennummer 8000344742
bei der benannten Stelle Nr. 0044

TÜV NORD CERT
Am TÜV 1
D-30519 Hannover

Die Geräte werden gekennzeichnet mit



Angewandte Normen:

EN 13463-1 Nicht-elektrische Geräte für den Einsatz
in explosionsgefährdeten Bereichen
- Grundlagen und Anforderungen

EN 13463-5 Schutz durch Konstruktive Sicherheit 'c'

Die eingebauten

Mikroschalter Typ 850

sind 'Einfache Betriebsmittel' gemäß EN 50020.
Bei Betrieb in einem geprüften und zertifizierten
eigensicheren Stromkreis dürfen sie ohne weitere
Maßnahme als Kategorie 2-Gerät eingesetzt werden.

WIKAI

Alexander Wiegand GmbH & Co. KG

Geschäftsbereich Prozessinstrumentierung / Division Process Instrumentation

Klingenberg, 06.12.2006

Armin Hawik
Leiter Logistikzentrum 2
Manager Production and Logistics

Declaration of Conformity Directive 94 / 9 / EC (ATEX)

We declare under our sole responsibility that our differential pressure switches,

model 851.02 **DELTA - switch**,

according to the current data sheet PM 07.17,
correspond with the directive and were subjected to
the conformity assessment procedure

'Internal Control of Production'

The dossier is retained
under file nr. 8000344742
at the notified body no. 0044

TÜV NORD CERT
Am TÜV 1
D-30519 Hannover

The gauges are marked with



Applied standards:

EN 13463-1 Non electrical equipment for potentially
explosive atmospheres
- Basic methods and requirements

EN 13463-5 Protection by constructional safety 'c'

The built-in

micro switches model 850

are 'Simple Apparatus' according to EN 50020.
If they are operated in an approved and certified as
well as intrinsically-safe circuit they can be used as a
category 2- equipment without any additional action.

Albert Schott
Leiter Qualitätssicherung
Quality Assurance Manager

Inhalt

1. Sicherheitshinweise	16
2. Beschreibung und Funktionsprinzip	16
3. Technische Daten und bestimmungsgemäße Verwendung	17
4. Anforderungen bei Ex-Betrieb	17
5. Montagehinweise	18
6. Messanordnungen	19
7. Inbetriebnahme	20
8. Optionen und Zubehör	21
9. Wartung / Reinigung	23
10. Reparaturen	23
11. Entsorgung	23
Anlage 1: Konformitätserklärung für Typ 702.01.100 <i>DELTA-plus</i>	24
Anlage 2: Konformitätserklärung für Typen 702.02.100 / 702.03.100 <i>DELTA-comb</i>	25
Anlage 3: Konformitätserklärung für Typ 851.02.100 <i>DELTA-switch</i>	26



Vorsicht

1. Sicherheitshinweise

Beachten Sie unbedingt bei Montage, Inbetriebnahme und Betrieb dieser Geräte die entsprechenden nationalen Sicherheitsvorschriften (z.B. VDE 0100 / EN 60 079-14 / EN 837-2).

- Alle Arbeiten dürfen nur im spannungslosen Zustand erfolgen (betrifft Typen 702.02/03.100 und 851.02.100)
- Bei Nichtbeachten der entsprechenden Vorschriften können schwere Körperverletzungen und / oder Sachschäden auftreten
- Nur entsprechend qualifiziertes Personal darf an diesen Geräten arbeiten
- Die tatsächliche maximale Oberflächentemperatur ist nicht von diesen Geräten selbst abhängig, sondern hauptsächlich von der jeweiligen Messstofftemperatur! Zulässige Grenzwerte für die Messstofftemperatur siehe Tabelle Seite 18.

2. Beschreibung und Funktionsprinzip

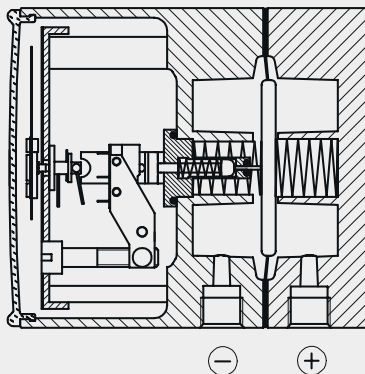
Die \oplus - und \ominus -Messstoffkammern sind durch eine elastische Membrane getrennt. Der Differenzdruck bewirkt eine axiale Auslenkung (Messweg) der Membrane gegen die Messbereichsfeder. Der dem Differenzdruck proportionale Messweg wird über eine Schubstange druckdicht und reibungsarm übertragen; bei:

- **DELTA-plus** auf ein **Zeigerwerk**
- **DELTA-comb** auf ein **Zeigerwerk** und zusätzlich an die Stößel der **Mikroschalter**
- **DELTA-switch** an die Stößel der **Mikroschalter**

Weitere Informationen zum Geräteaufbau

- **DELTA-plus** siehe Datenblatt PM 07.15
- **DELTA-comb** siehe Datenblatt PM 07.16 bzw. PM 07.19
- **DELTA-switch** siehe Datenblatt PM 07.17

Darstellung am Beispiel **DELTA-comb**



2122740.01

3. Technische Daten und bestimmungsgemäße Verwendung

Maximaler Betriebsdruck (statischer Druck): 25 bar

Überlastbarkeit (ein-, beid-, und wechselseitig): bis max. 25 bar

Zulässige Temperaturen Umgebung -10 ... +70 °C
Messstoff +90 °C maximal

Einschränkung bei Ex-Betrieb beachten! (siehe Abschnitt 4)

Druckanschluss: 2 × G ¼ Innengewinde

IP-Schutzart: IP 54 (EN 60 529 / IEC 529)

Zulässige Schwingungsbelastung am Einbauort

- Die Geräte sollten grundsätzlich nur an Stellen ohne Schwingungsbelastung eingebaut werden
- Eine Entkopplung vom schwingungsbelasteten Einbauort kann z.B. durch den Anbau des Messgerätes an eine starre Wand und flexible Leitungen zwischen Messstelle und Messgerät erreicht werden. (siehe Abschnitt 5)
- Folgende Grenzwerte dürfen nicht überschritten werden:
Frequenzbereich < 150 Hz
Beschleunigung < 0,7 g (7 m/s²)

Elektrischer Kontakt

(betrifft Typen 702.02/03.100 und 851.02.100)

Einstellbereich: von 10 % bis 100 % des Skalenendwertes

Schaltpunkteinstellung: von außen über Einstellschraube(n)

Schalthysterese: max. 5 % vom Skalenendwert



Hinweis

4. Anforderungen bei Ex-Betrieb

Die eingebauten Mikroschalter (betrifft Typen 702.02/03.100 und 851.02.100) haben **keine** eigene Zündquelle. Sie sind 'Einfache Betriebsmittel' im Sinne der Eigensicherheit nach EN 50 020.

Bei Versorgung aus einem geprüften und bescheinigten eigensicheren Stromkreis (zugehöriges Betriebsmittel) dürfen diese Schalter ohne weitere Maßnahmen in explosionsgefährdeten Bereichen bis Kategorie 2 eingesetzt werden.

Zulässige Temperaturen für alle Typen

Umgebung (im Ex-Betrieb): -10 ... +60 °C

Messstoff: Die zulässige Messstofftemperatur hängt sowohl von der Gerätebauart als auch von der Zündtemperatur der umgebenden explosionsfähigen Atmosphäre ab.

Beide Aspekte sind zu berücksichtigen.

Maximal zulässige Grenzwerte siehe Tabelle

Achtung! Bei gasförmigen Stoffen kann sich die Temperatur durch Kompressionswärme erhöhen. In solchen Fällen muss ggf. die Druckänderungsgeschwindigkeit gedrosselt bzw. die zulässige Messstofftemperatur reduziert werden.

Zulässige Messstofftemperatur

Temperaturklasse der umgebenden zündfähigen Atmosphäre (Zündtemperatur)	Zulässige maximale Messstofftemperatur (im Messsystem)
T 6 (> 85 °C)	+70 °C
T 5 (> 100 °C)	+85 °C
alle anderen Temperaturklassen	+90 °C

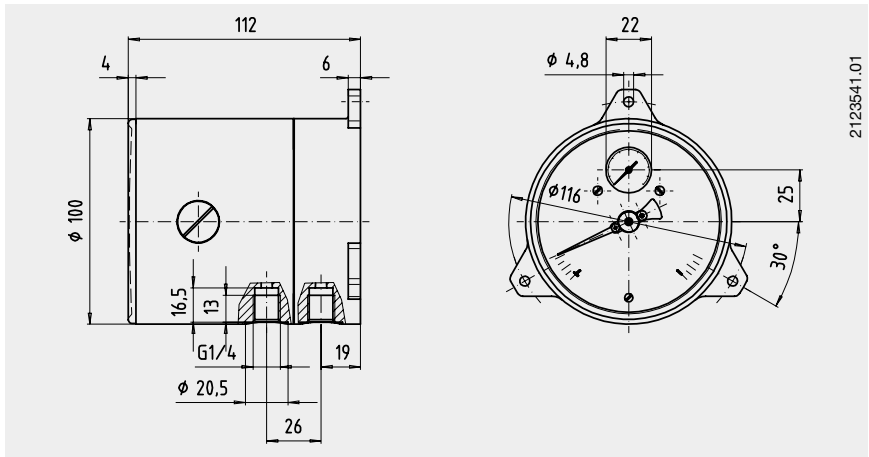
5. Montagehinweise

Die Montage des Differenzdruckmessgerätes erfolgt in Anlehnung an die Einbauempfehlung für Druckmessgeräte nach EN 837-2 /7.

- Die maximal zulässige Messstoff-/Umgebungstemperatur darf nicht überschritten werden
- Messleitungen vor der Gerätemontage gründlich durch Abklopfen und Ausblasen oder Durchspülen reinigen
- Messgeräte vor Verschmutzung und starken Temperaturschwankungen schützen!
- Messgeräte sollen erschütterungsfrei montiert und betrieben werden. (siehe auch Abschnitt 3 'Zulässige Schwingungsbelastung am Einbauort')

Wandmontage

Befestigung über drei angegossene Befestigungslaschen



2123541.01

D

6. Messanordnungen

Bewährte Messanordnungen für verschiedene Messstoffarten. Die zur Anwendung besonders empfohlenen Anordnungen sind nachfolgend dargestellt.

Füllung der Messleitung	flüssige Messstoffe			gasförmige Messstoffe		
	flüssig	zum Teil ausgasend	vollständig verdampft	gasförmig	zum Teil kondensiert (feucht)	vollständig kondensiert
Beispiele	Kondensat	siedende Flüssigkeiten	"Flüssiggase"	trockene Luft	feuchte Luft Rauchgase	Wasserdampf
Druckmessgerät oberhalb des Entnahmestutzens						
Druckmessgerät unterhalb des Entnahmestutzens						

11242370 06/2007 GB/D/F

7. Inbetriebnahme

7.1 Montage der Druckanschlüsse

Nach angebrachten Symbolen \oplus und \ominus \oplus hoher Druck
 \ominus niedriger Druck

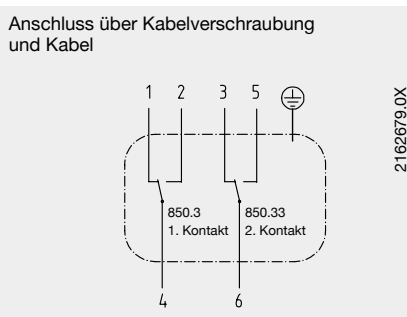
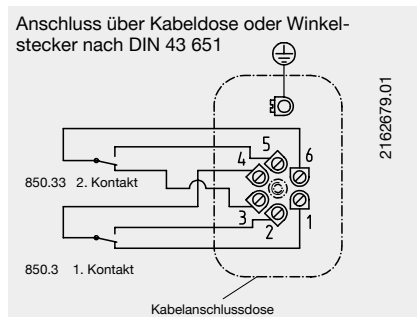
Bei Inbetriebnahme Druckstöße unbedingt vermeiden, Absperrventile langsam öffnen.

7.2 Elektrischer Anschluss

(betrifft Typen 702.02/03.100 und 851.02.100)

- Der elektrische Anschluss darf nur durch qualifiziertes Personal erfolgen
- Die Belegung der Anschlüsse und die Schaltfunktionen sind auf dem Typenschild am Gerät angegeben und die Anschlussklemmen (1 ... 6) sowie die Erdungsklemme sind entsprechend gekennzeichnet
- Die vorgesehenen Netzanschlussleitungen müssen für die größte Stromaufnahme des Gerätes bemessen sein und IEC 227 oder IEC 245 entsprechen
- Die Geräte sind in den Potenzialausgleich der Anlage mit einzubeziehen

Anschlussbelegung



Schaltpunkteinstellung

Die Schaltpunkteinstellung erfolgt über die frontseitig zugänglichen Einstellschrauben. Die 270 ° -Hilfsskala zeigt den momentan eingestellten Sollwert.

Zur Kontaktverstellung Sichtscheibe über die Aussparung an ihrem Umfang aus dem Gehäuse hebeln. Durch Drehen der Einstellschraube kann der gewünschte Schaltpunkt eingestellt werden.

Anschließend die Sichtscheibe wieder in das Gehäuse eindrücken.

8. Optionen und Zubehör

8.1 Integriertes Druckausgleichsventil

Durch Betätigen des Druckknopfes wird eine **Nullpunktkontrolle** im laufenden Betriebsprozess ermöglicht.

Der Messstoff strömt von der Seite höheren Druckes nach der Gegenseite und der Differenzdruck am Messgerät fällt auf Null.



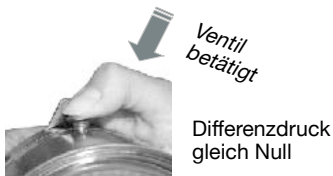
D

DELTA-comb und **DELTA-switch**:

Durch Betätigen des Druckknopfes muss die Differenzdruckanzeige auf Null, d.h. in den Bereich des Nullpunkt-Toleranzbalkens gehen. Die Gerätefunktion ist damit in Ordnung. Bei möglichen Abweichungen, die außerhalb des Toleranzbalkens liegen, kann eine **Nullpunktkorrektur** über den standardmäßig eingebauten Verstellzeiger erfolgen.

Dazu ist die Schnappscheibe mittels Schraubendreher an der am Umfang angebrachten Einprägung/Aussparung abzuheben. Die Nullpunkt-Verstellung wird durch ein Verdrehen der Schlitzschraube am Verstellzeiger erreicht.

Anschließend ist die Schnappscheibe wieder auf dem Gehäuse aufzubringen. Der Differenzdruck wird wieder angezeigt, sobald der Druckkopf freigegeben wird.

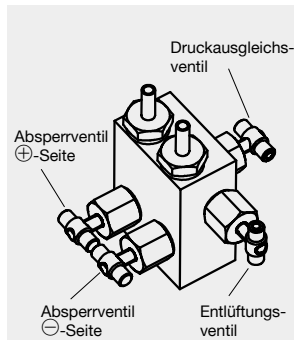


8.2 Vierfach-Ventilblock

- Absperrung der \oplus - und \ominus - Prozessleitung zur **Demontage** oder **Prüfung** des Messgerätes ohne Störung des laufenden Betriebsprozesses.

Schutz des Gerätes gegen unzulässige Überdruckbelastung, wie z.B. bei Druckprüfungen und undefinierten Betriebsverhältnissen (auch zeitweiliger Stilllegung).

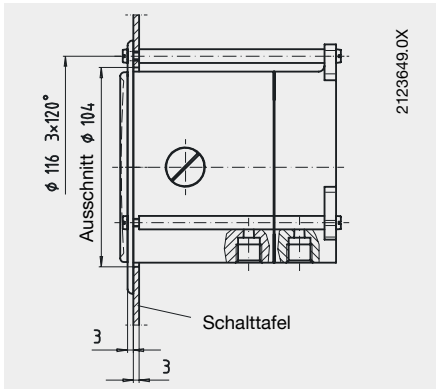
- Druckausgleich zur **Nullpunktkontrolle** bei laufendem Prozess sowie Vermeidung einseitiger Überdruckbelastung während der Anfahr- bzw. Betriebsphase (bei geöffnetem Druckausgleichsventil).
- **Entlüftung** der Messleitungen bei flüssigen Messstoffen und **Spülung** der Messleitungen um Verunreinigungen zu entfernen.



8.2.1 Angaben zum Handling

- Arbeitsgangfolge zum **Messanfang**
 1. Druckausgleichsventil (mittlere Ventilspindel) öffnen
 2. Absperrventil der Minus-Messstoffkammer (\ominus , rechtes Ventil) und der Plus-Messstoffkammer (\oplus , linkes Ventil) öffnen
 3. Druckausgleichsventil schließen
- Arbeitsgangfolge zum **Spülen/Entlüften** der Messleitungen
 1. Anfang: Absperrventil der \ominus - und \oplus - Messstoffkammer öffnen
Druckausgleichsventil und Entlüftungsventil öffnen
 2. Ende: Druckausgleichsventil und Entlüftungsventil schließen
- Arbeitsgangfolge zu **Messende** (auch zeitweise Stilllegung)
 1. Druckausgleichsventil öffnen
 2. Absperrventil der \ominus - und \oplus - Messstoffkammer schließen
- Arbeitsgangfolge zur **Demontage des Messgerätes** bei laufendem Prozess
 1. Druckausgleichsventil öffnen
 2. Absperrventil der \ominus - und \oplus - Messstoffkammer schließen
 3. **Entlüftungsventil öffnen**

8.3 Befestigungsrand für Schalttafelmontage



9. Wartung / Reinigung

Die Geräte sind wartungsfrei und zeichnen sich bei sachgemäßer Behandlung und Bedienung durch eine hohe Lebensdauer aus.

Eine Überprüfung der Anzeige und der Schaltfunktion sollte etwa 1 bis 2 mal pro Jahr erfolgen. Dazu ist das Gerät vom Prozess zu trennen und mit einer Druckprüfvorrichtung zu kontrollieren.

Reinigen der Geräte mit einem (in Seifenlauge) angefeuchteten Tuch.

Vor Wiedereinschalten des Stromes ist sicherzustellen, dass alle Teile abgetrocknet sind.

Messstoffreste in ausgebauten Druckmessgeräten können zu Gefährdung von Menschen, Umwelt und Einrichtungen führen. Ausreichende Vorsichtsmaßnahmen sind zu ergreifen.

10. Reparaturen

Reparaturen sind ausschließlich vom Hersteller oder entsprechend geschultem Personal durchzuführen.

Weitere technische Daten bitte dem Datenblatt des jeweiligen Grundgerätes (PM 07.15, PM 07.16, PM 07.17 oder PM 07.19) entnehmen.

11. Entsorgung

Entsorgen Sie Gerätekomponenten und Verpackungsmaterialien entsprechend den einschlägigen landesspezifischen Abfallbehandlungs- und Entsorgungsvorschriften des Anliefergebietes.



WIKAL Alexander Wiegand GmbH & Co. • PF 1180 • 63908 Klingenberg • Germany

Druck- und
Temperaturmesstechnik

Pressure and
Temperature Measurement

Konformitätserklärung Richtlinie 94 / 9 / EG (ATEX)

Wir erklären in alleiniger Verantwortung, dass unsere Differenzdruckmessgeräte

Typ 702.01.100 **DELTA - plus**,

gemäß gültigem Typenblatt PM 07.15, mit der Richtlinie übereinstimmen und dem Konformitätsbewertungsverfahren

'Interne Fertigungskontrolle'

unterzogen wurden.

Die Unterlagen werden aufbewahrt unter der Aktennummer 8000344742 bei der benannten Stelle Nr. 0044

TÜV NORD CERT
Am TÜV 1
D-30519 Hannover

Die Geräte werden gekennzeichnet mit



Angewandte Normen:

EN 13463-1 Nicht-elektrische Geräte für den Einsatz in explosionsgefährdeten Bereichen
- Grundlagen und Anforderungen

EN 13463-5 Schutz durch Konstruktive Sicherheit 'c'

Declaration of Conformity Directive 94 / 9 / EC (ATEX)

We declare under our sole responsibility that our differential pressure gauges

model 702.01.100 **DELTA - plus**,

according to the current data sheet PM 07.15, correspond with the directive and were subjected to the conformity assessment procedure

'Internal Control of Production'

The dossier is retained under file nr. 8000344742 at the notified body no. 0044

TÜV NORD CERT
Am TÜV 1
D-30519 Hannover

The gauges are marked with



Applied standards:

EN 13463-1 Non electrical equipment for potentially explosive atmospheres
- Basic methods and requirements

EN 13463-5 Protection by constructional safety 'c'

WIKAL

Alexander Wiegand GmbH & Co. KG

Geschäftsbereich Prozessinstrumentierung / Division Process Instrumentation

Klingenberg, 06.12.2006

Armin Hawlik
Leiter Logistikzentrum 2
Manager Production and Logistics

Albert Schott
Leiter Qualitätssicherung
Quality Assurance Manager



WIKAI Alexander Wiegand GmbH & Co • PF 1180 • 63908 Klingenberg • Germany

Druck- und
Temperaturmesstechnik
Pressure and
Temperature Measurement

Konformitätserklärung Richtlinie 94 / 9 / EG (ATEX)

Wir erklären in alleiniger Verantwortung, dass nachstehend genannte Produkte, Differenzdruckmessgeräte mit Mikroschalter, gemäß gültigem Typenblatt mit der Richtlinie übereinstimmen und dem Konformitätsbewertungsverfahren

'Interne Fertigungskontrolle'

unterzogen wurden.

Die Unterlagen werden aufbewahrt unter der Aktennummer 8000344742 bei der benannten Stelle Nr. 0044

TÜV NORD CERT
Am TÜV 1
D-30519 Hannover

WIKAI-Typen / WIKAI models

702.02 / 702.03 **DELTA - comb**

Die Geräte werden gekennzeichnet mit



Angewandte Normen:

EN 13463-1 Nicht-elektrische Geräte für den Einsatz in explosionsgefährdeten Bereichen - Grundlagen und Anforderungen
EN 13463-5 Schutz durch Konstruktive Sicherheit 'c'

Die eingebauten

Mikroschalter Typ 850

sind 'Einfache Betriebsmittel' gemäß EN 50020.

Bei Betrieb in einem geprüften und zertifizierten eigensicheren Stromkreis dürfen sie ohne weitere Maßnahme als Kategorie 2-Gerät eingesetzt werden.

WIKAI

Alexander Wiegand GmbH & Co. KG

Geschäftsbereich Prozessinstrumentierung / Division Process Instrumentation

Klingenberg, 06.12.2006

Armin Hawik
Leiter Logistikzentrum 2
Manager Production and Logistics

Declaration of Conformity Directive 94 / 9 / EC (ATEX)

We declare under our sole responsibility that the products mentioned below, i.e. differential pressure gauges with micro switch, according to the current data sheet correspond with the directive and were subjected to the conformity assessment procedure

'Internal Control of Production'

The dossier is retained under file nr. 8000344742 at the notified body no. 0044

TÜV NORD CERT
Am TÜV 1
D-30519 Hannover

Typenblätter / data sheets

PM 07.16 / PM 07.19

The gauges are marked with



Applied standards:

EN 13463-1 Non electrical equipment for potentially explosive atmospheres - Basic methods and requirements
EN 13463-5 Protection by constructional safety 'c'

The built-in

micro switches model 850

are 'Simple Apparatus' according to EN 50020.

If they are operated in an approved and certified as well as intrinsically-safe circuit they can be used as category 2- equipment without any additional action.

Albert Schott
Leiter Qualitätssicherung
Quality Assurance Manager



WIKAI Alexander Wiegand GmbH & Co. • PF 1180 • 63908 Klingenberg • Germany

Druck- und
Temperaturmesstechnik

Pressure and
Temperature Measurement

Konformitätserklärung Richtlinie 94 / 9 / EG (ATEX)

Wir erklären in alleiniger Verantwortung, dass unsere Differenzdruckschaltgeräte

Typ 851.02.100 **DELTA - switch**,

gemäß gültigem Typenblatt PM 07.17,
mit der Richtlinie übereinstimmen und dem
Konformitätsbewertungsverfahren

'Interne Fertigungskontrolle'

unterzogen wurden.

Die Unterlagen werden aufbewahrt
unter der Aktennummer 8000344742
bei der benannten Stelle Nr. 0044

TÜV NORD CERT
Am TÜV 1
D-30519 Hannover

Die Geräte werden gekennzeichnet mit



Angewandte Normen:

EN 13463-1 Nicht-elektrische Geräte für den Einsatz
in explosionsgefährdeten Bereichen
- Grundlagen und Anforderungen

EN 13463-5 Schutz durch Konstruktive Sicherheit 'c'

Die eingebauten

Mikroschalter Typ 850

sind 'Einfache Betriebsmittel' gemäß EN 50020.
Bei Betrieb in einem geprüften und zertifizierten
eigensicheren Stromkreis dürfen sie ohne weitere
Maßnahme als Kategorie 2-Gerät eingesetzt werden.

WIKAI

Alexander Wiegand GmbH & Co. KG

Geschäftsbereich Prozessinstrumentierung / Division Process Instrumentation

Klingenberg, 06.12.2006

Armin Hawik
Leiter Logistikzentrum 2
Manager Production and Logistics

Declaration of Conformity Directive 94 / 9 / EC (ATEX)

We declare under our sole responsibility that our differential pressure switches,

model 851.02 **DELTA - switch**,

according to the current data sheet PM 07.17,
correspond with the directive and were subjected to
the conformity assessment procedure

'Internal Control of Production'

The dossier is retained
under file nr. 8000344742
at the notified body no. 0044

TÜV NORD CERT
Am TÜV 1
D-30519 Hannover

The gauges are marked with



Applied standards:

EN 13463-1 Non electrical equipment for potentially
explosive atmospheres
- Basic methods and requirements

EN 13463-5 Protection by constructional safety 'c'

The built-in

micro switches model 850

are 'Simple Apparatus' according to EN 50020.
If they are operated in an approved and certified as
well as intrinsically-safe circuit they can be used as a
category 2- equipment without any additional action.

Albert Schott
Leiter Qualitätssicherung
Quality Assurance Manager

Sommaire

1.	Conseils de sécurité	28
2.	Description et principe de fonctionnement	28
3.	Caractéristiques techniques et utilisation correspondante	29
4.	Exigences pour l'utilisation en atmosphères potentiellement explosives	29
5.	Instructions de montage	30
6.	Dispositions de montage	31
7.	Mise en service	32
8.	Options / accessoires	33
9.	Maintenance/nettoyage	35
10.	Réparations	35
11.	Mise au rebut	35
Déclaration de Conformité du type 702.01.100 <i>DELTA-plus</i> (allemand / anglais)		24
Déclaration de Conformité des types 702.02.100 / 702.03.100 <i>DELTA-comb</i> (allemand / anglais)		25
Déclaration de Conformité du type 851.02.100 <i>DELTA-switch</i> (allemand / anglais)		26



Avertissement

1. Conseils de sécurité

Les prescriptions de sécurité nationales en vigueur (par exemple VDE 0100 / EN 60 079-14 / EN 837-2) doivent absolument être respectées lors du montage, de la mise en service et de l'utilisation des instruments ici présentés.

- Toutes les interventions doivent être effectuées hors tension (concerne les types 702.02/03.100 et 851.02.100)
- Le non-respect des instructions correspondantes est susceptible d'entraîner des risques de blessure et/ou des dégâts matériels
- Seul le personnel habilité et qualifié est autorisé à manipuler les instruments
- La température de surface maxi réelle ne dépend pas de l'appareil proprement dit, mais principalement de la température du fluide correspondant! Valeurs limites autorisées pour la température de fluide: voir tableau page 30.

2. Description et principe de fonctionnement

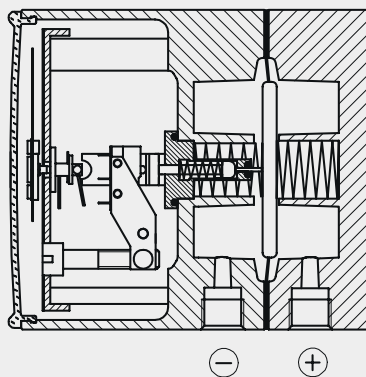
Les chambres de mesure \oplus - et \ominus -sont séparées par une membrane élastique. La différence de pression provoque un déplacement axial de la membrane (chemin de mesure) contre le ressort de l'étendue de mesure. Le déplacement proportionnel à la différence de pression est transmis avec un frottement minimal par une biellette étanche en fonction du type d'appareil :

- **DELTA-plus** à un **mouvement**
- **DELTA-comb** à un **mouvement** et en plus au poussoir du **microcontact**
- **DELTA-switch** au poussoir du **microcontact**

Pour plus d'informations sur la construction de l'appareil

- **DELTA-plus** voir fiche technique PM 07.15
- **DELTA-comb** voir fiche technique PM 07.16 ou PM 07.19
- **DELTA-switch** voir fiche technique PM 07.17

Exemple de présentation d'un **DELTA-comb**



2122740.01

3. Caractéristiques techniques et utilisation correspondante

Pression statique : 25 bar

Surpression différentielle (bi-latérale) : jusqu'à 25 bar maxi

Températures autorisées

Ambiante	-10 ... +70 °C
Fluide	maxi +90 °C

Respecter les restrictions pour l'utilisation en zone Ex! (voir paragraphe 4)

Raccords process : taraudage 2 × G ¼

IP Degré de protection : IP 54 (EN 60 529 / IEC 529)

Contrainte de vibration admissible sur le point de montage

- Les appareils ne devraient en principe être installés que sur des applications exemptes de vibrations
- Un découplage du lieu de montage avec vibrations peut être obtenu, par exemple par l'installation de l'appareil de mesure sur une paroi rigide avec pose d'une conduite flexible entre l'appareil de mesure et le point de mesure (voir paragraphe 5).
- Les valeurs limites suivantes ne doivent pas être dépassées:
Plage de fréquence < 150 Hz
Accélération < 0,7 g (7 m/s²)

Contact électrique

(concerne les types 702.02/03.100 et 851.02.100)

Plage de réglage: de 10 % à 100 % de la valeur de fin d'échelle

Réglage du point de commutation: de l'extérieur par vis de réglage

Hystérésis de commutation: 5 % maxi de la valeur de fin d'échelle



Note

4. Exigences pour l'utilisation en atmosphères potentiellement explosives

Les microrupteurs (concerne les types 702.02/03.100 et 851.02.100) **ne** possèdent pas de source d'inflammation propres. Ils sont considérés comme un "matériel électrique simple" dans le sens de la sécurité intrinsèque selon EN 50 020.

En cas d'alimentation à partir d'un circuit en sécurité intrinsèque examiné et homologué (matériel électrique affilié), ces contacteurs peuvent, être utilisés dans des zones explosives sans mesure particulière jusqu'à la catégorie 2.

Températures admissibles pour tous les types

Ambiante (pour utilisation en zone explosive): -10 ... +60 °C

Fluide: La température de fluide autorisée dépend, en plus de la conception de l'appareil, également de la température d'inflammation de l'atmosphère explosible de l'environnement.

Ces deux paramètres sont à prendre en considération.

Valeurs limites admissibles: voir tableau

Attention! Pour les fluides gazeux la température peut s'élever par le biais d'une température de compression. Dans ces cas il faut, soit limiter la vitesse d'élévation de la pression, soit réduire la température de fluide admissible.

Température de fluide admissible

Classe de température de l'atmosphère environnante (température d'inflammation)	Température maximale autorisée du fluide (dans le système de mesure)
T 6 (> 85 °C)	+70 °C
T 5 (> 100 °C)	+85 °C
toutes les autres classes de température	+90 °C

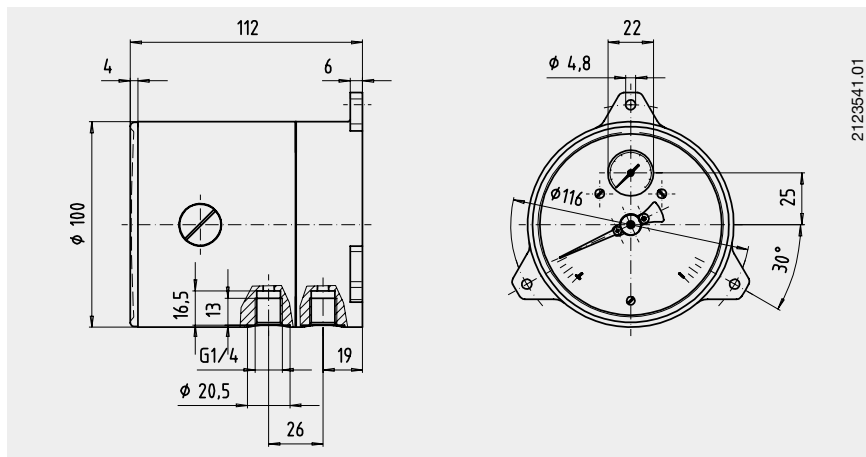
5. Instructions de montage

Le montage de l'appareil de mesure de pression différentielle s'effectue en référence à la recommandation pour l'installation des appareils de mesure de pression selon EN 837-2/7.

- Les températures maximales autorisées pour le fluide et l'environnement ne doivent pas être dépassées
- Avant le montage de l'appareil, nettoyer à fond la tuyauterie en tapant dessus ou en soufflant à l'air comprimé ou en les rinçant.
- Protéger les appareils de mesure de la pollution et des variations de température élevées!
- Les appareils de mesure doivent être installés et utilisés de façon à ne pas être soumis à des vibrations (voir également le paragraphe 3 'contrainte de vibrations autorisée sur le site').

Montage sur paroi

Fixation à l'aide de trois oeillets intégrés



6. Dispositions de montage

Dispositions de montage éprouvées pour différents fluides. Les dispositions particulièrement recommandables sont décrites ci-après.

Remplissage de la conduite de mesure	fluides liquides			fluides gazeux		
	liquides	en partie dégazés	complètement évaporés	gazeux	en partie condensés (humides)	complètement condensés
Exemples	condensat	liquides en ébullition	"gaz liquides"	air sec	air humide gaz de fumées	vapeur d'eau
Manomètre au-dessus du point de mesure						
Manomètre en-dessous du point de mesure						

7. Mise en service

7.1 Montage des raccords process

Selon les symboles indiqués ⊕ et ⊖

⊕ pression élevée

⊖ pression basse

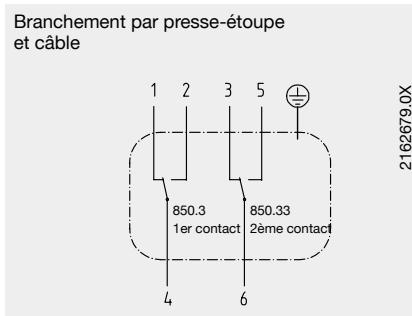
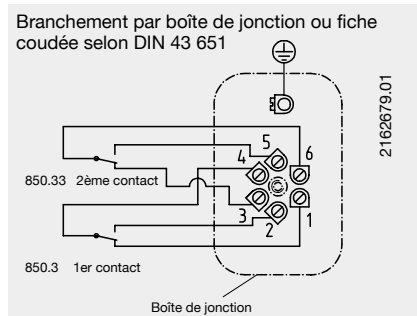
Lors de la mise en service il faut absolument éviter les coups de bélier. Ouvrir lentement les robinets d'isolement.

7.2 Branchement électrique

(concerne les types 702.02/03.100 et 851.02.100)

- Le branchement électrique ne peut être effectué que par du personnel qualifié
- La position des branchements et les fonctions de commutation sont indiquées sur la plaquette signalétique de l'appareil, les bornes de branchement (1 ... 6) ainsi que la borne de terre sont marquées en conséquence
- Les conducteurs secteurs prévus doivent être adaptés à la puissance consommée la plus élevée du courant de l'appareil et correspondre à IEC 227 ou IEC 245
- Les appareils doivent être intégrés dans la compensation de potentiel du site.

Position des branchements



Réglage des points de commutation

Les réglages des points de commutation s'effectuent par des vis de réglage depuis la face avant. L'échelle d'assistance de 270 ° indique la valeur de consigne réglée actuellement.

Afin de déplacer le contact, il faut tout d'abord ouvrir le voyant en le soulevant par les rainures se trouvant sur sa périphérie. La valeur de point de seuil requise est obtenue en tournant la vis de réglage.

Ensuite remonter le voyant en le clipsant sur le boîtier.

8. Options / accessoires

8.1 Valve de compensation de pression intégrée

En appuyant sur le poussoir on permet un **contrôle du zéro** en cours de fonctionnement du process.

Le fluide passe du côté haute pression au côté opposé et la différence de pression passe à zéro.



F

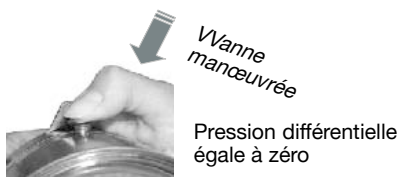
DELTA-comb et DELTA-switch:

Quand on appuye sur le poussoir l'affichage de la pression différentielle doit passer à zéro, c'est à dire doit se trouver dans la barre de tolérance du zéro. La fonction de l'appareil est alors correcte. le case d'une dérive hors de la barre de tolérance du zéro, une **correction du zéro** peut être faite par l'aiguille micrométrique réglable montée de série.

Pour ce faire, il faut tout d'abord ouvrir le voyant en le soulevant a l'aide d'un tournevis par les rainures se trouvant sur sa périphérie. Le réglage du zéro se fait en tournant la vis se trouvant sur l'aiguille réglable.



Ensuite remonter le voyant en le clipsant sur le boîtier. La pression différentielle sera de nouveau affichée dès qu'on relâche le bouton.

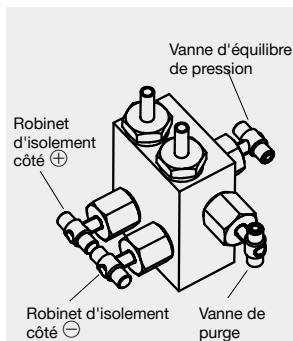


8.2 Manifold 4 voies

- Fermeture des conduites de processus \oplus et \ominus pour le **démontage** ou le **contrôle** de l'appareil de mesure sans perturber le process en cours.

Protection de l'appareil contre les surpressions, comme par exemple lors de contrôles de pression et des conditions de fonctionnement indéfinies (également lors de la mise hors service temporaire).

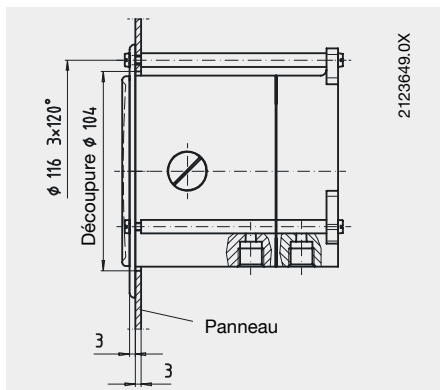
- Equilibrage de la pression pour le **contrôle du zéro** en cours de process ainsi que pour éviter une surpression unilatérale pendant le démarrage ou le service de l'installation (avec vanne d'équilibre de pression ouverte).
- **Ventilation** des conducteurs de mesure de fluides liquides et **rinçage** des conducteurs afin d'éliminer des impuretés.



8.2.1 Indications de l'utilisation

- Déroulement des opérations en **début de mesure**
 1. Ouvrir la vanne d'équilibrage de pression (vanne du milieu)
 2. Ouvrir le robinet d'isolement du côté négatif de la chambre de mesure (\ominus , robinet de droite), ensuite ouvrir le robinet d'isolement du côté positif de la chambre de mesure (\oplus , robinet de gauche)
 3. Fermer la vanne d'équilibrage de pression
- Déroulement des opérations pour le **rinçage / la ventilation** des conduites de mesure
 1. Début: Ouvrir les robinets \ominus et \oplus de la chambre de mesure
Ouvrir la vanne d'équilibrage de pression et la vanne de purge
 2. Fin: Fermer la vanne d'équilibrage de pression et la vanne de purge
- Déroulement des opérations en **fin de mesure** (également lors de la mise hors service temporaire)
 1. Ouvrir la vanne d'équilibrage de pression
 2. Fermer les robinets \ominus et \oplus de la chambre de mesure
- Déroulement des opérations pour le démontage de l'appareil de mesure en cours de fonctionnement du process
 1. Ouvrir la vanne d'équilibrage de pression
 2. Fermer les robinets \ominus et \oplus de la chambre de mesure
 3. **Ouvrir la vanne de purge**

8.3 Colerette avant pour le montage sur panneau



9. Maintenance / Nettoyage

S'ils sont manipulés et utilisés correctement, les instruments ne requièrent aucune maintenance et se distinguent par une longue durée de vie.

Un contrôle de l'affichage et des fonctions de commande est recommandé 1 à 2 fois/an. Pour le contrôle de l'affichage et des fonctions de commande, il faut isoler l'appareil du process de mesure et le contrôler avec un dispositif de contrôle de pression.

L'appareil se nettoie à l'aide d'un chiffon humidifié (avec du savon).

Avant de rebrancher l'instrument, s'assurer que toutes les pièces soient complètement sèches.

Des restes de fluide se trouvant dans les manomètres démontés peuvent provoquer une mise en danger de personnes, de l'environnement et de l'équipement. Des précautions adéquates sont à prendre.

10. Réparations

Toute réparation doit être exclusivement confiée au fabricant à du personnel qualifié correspondant.

Pour autres données, se reporter à la fiche technique de l'instrument correspondant (PM 07.15, PM 07.16, PM 07.17 ou PM 07.19)

11. Mise au rebut

Mettez les composants des appareils et les emballages au rebut en respectant les prescriptions nationales pour le traitement et la mise au rebut des régions ou pays de livraison.

Technical alteration rights reserved.
Technische Änderungen vorbehalten.
Sous réserve de modifications techniques.



WIKAI Alexander Wiegand GmbH & Co. KG

Alexander-Wiegand-Straße 30
63911 Klingenberg • Germany
Phone (+49) 93 72/132-0
Fax (+49) 93 72/132-406
E-Mail info@wika.de
www.wika.de