

Gas Filling Unit Model GFU10, Compact-Size

WIKA Data Sheet SP 63.01

Applications

- Filling, recovery, and purification of SF₆ gas from tanks, ideally suited up to 69 kV (25 kg SF₆ gas)
- Consolidation of SF₆ cylinders

Special Features

- The face of the cart has an easily understandable flow-chart so that operational settings are intuitive
- Mounted on a convenient handcart with 250 mm (10") pneumatic tires for ease of movement
- Highest gas recovery in its class (up to 99.6 %).
- 100% oil-less compressor capable of 65 bar (1000 psig), allowing for SF₆ liquefaction at temperatures up to 45 °C
- Additional external access valve provides unlimited storage capacity by enabling the use of external gas cylinders

Description

Proper SF₆ handling is essential and includes initial filling, evacuation, purification, and re-pressurization of SF₆ tanks. WIKA's Model GFU10 provides this complete array of filling and evacuation services for SF₆ equipment. This cart is ideally suited for servicing small volume SF₆ equipment and consolidating partially used SF₆ bottles.

Functionality

- Purifies, dries, and filters SF₆ to 0.1 microns during recovery and re-pressurization.
- Onboard vacuum pump evacuates equipment to less than 1.3 mbar / 1 Torr and features a special valve preventing gas path reversal
- Automatic shut off feature when storage tank is full of liquefied gas or if it has reached maximum allowable pressure
- SF₆ gas liquefaction available at temperatures up to 45 °C (114 °F) via a high pressure, oil-less compressor
- 120 V-60 Hz 15 Amp operation



Gas Filling Unit Model GFU10, Compact-Size

- 220 V-50 Hz (120 V, 60 Hz optional) and other voltages are available
- High pressure, direct drive oil-less compressor, safety switch set at 500 psig (3450 kPag)
- Unit comes complete with hoses & power cords, compressor capable of 1000 psig (70 barg) of pressure

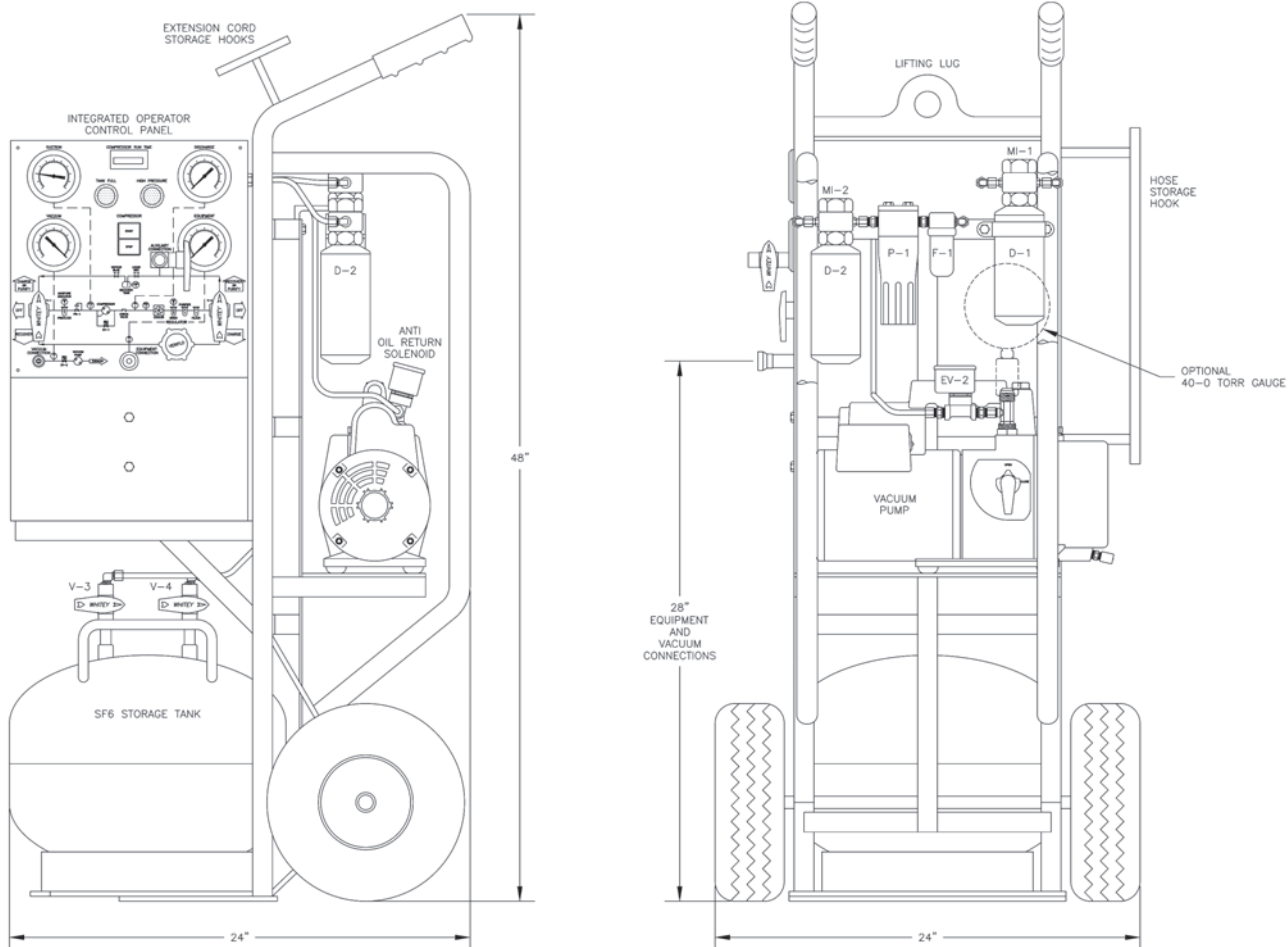
Additional Features

- High pressure permeation-resistant hoses
- Self-sealing quick disconnects
- All filters are easily replaced without disconnecting any tubing

Dimensions

Size: W x H x L: 560 x 1170 x 610 mm (22 x 46 x 24 in)

Weight: 103 kg (225 lbs)



Modifications may take place and materials specified may be replaced by others without prior notice. Specifications and dimensions given in this leaflet represent the state of engineering at the time of printing.



Официальный партнер
ООО "Техноавтоматика"
+7 (831)218-05-61, 218-05-62
info@tehnnonn.ru
www.tehnnonn.ru